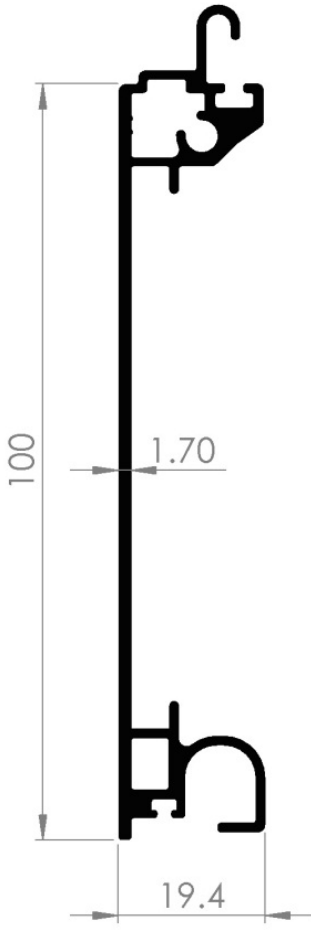


Technical Data Sheet

Description: Aluminum Rolling Door Slat

Code: ARD-100-F

Dimensions	100mm x 19.4mm	
Nominal weight of non-perforated slat for 1m ²	10.5 kg	
No. of slats in 1m height	10	
Aluminum thickness	1.7 mm	
Max. Width	5.5 m	
Max. Height	5 m	
Max. Area	20 m ²	
Winding diameter according to the height of the shutter*		
Height (mm)	Winding diameter (mm)	
1000	290	
2000	330	
3000	360	
4000	400	
5000	430	

* 100mm is added to the winding diameter in case of installing a box to facilitate mounting and maintenance